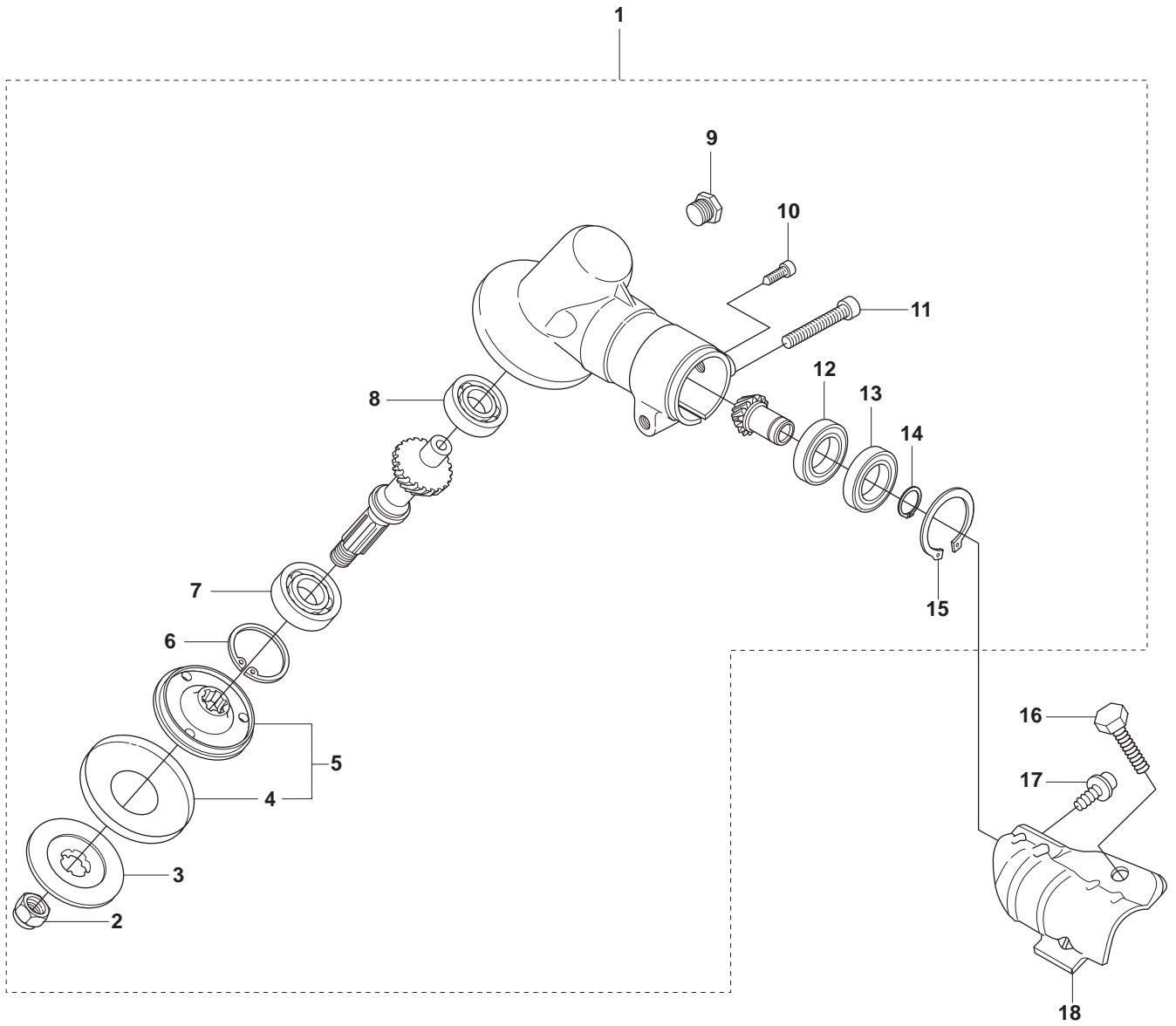
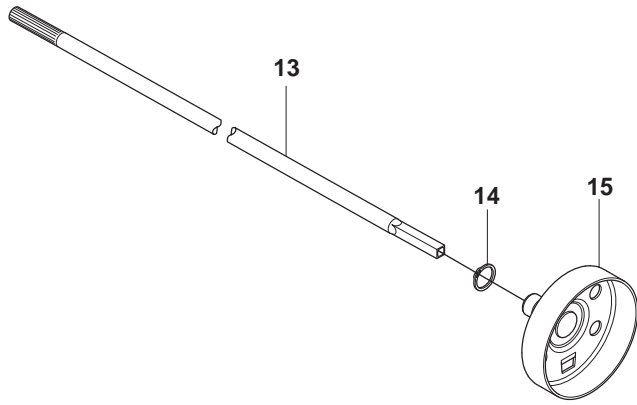
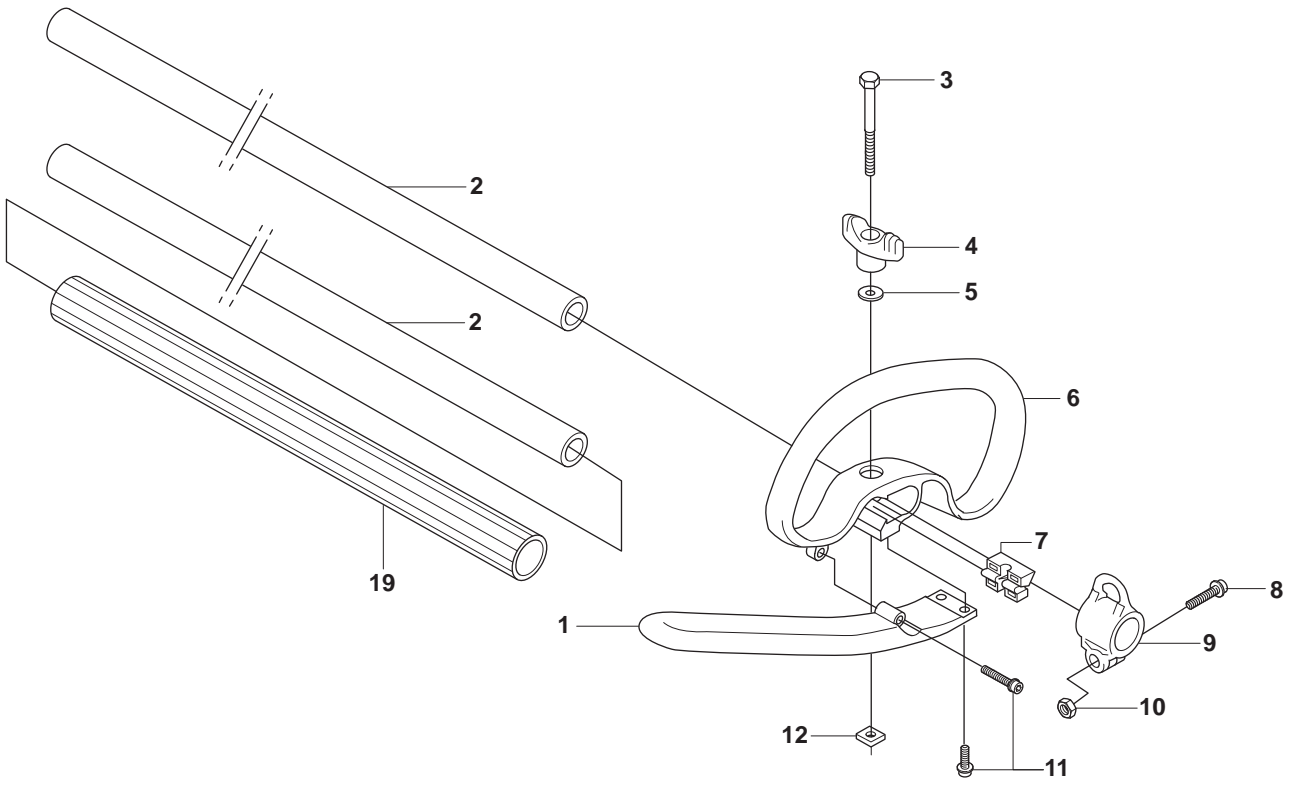


**A** 323C, L, LD, R, RJ, 325CX, Lx, LDx, Rx, RJx  
BEVEL GEAR



<b>Position</b>	<b>Article</b>	<b>Quantity</b>	<b>Notes</b>	<b>Kit</b>
1	537 19 92-02	1		
2	503 85 63-01	1		1
3	537 28 56-01	1		1
4	537 29 26-01	1		1
5	537 23 49-01	1		1
6	735 31 28-10	1		1
7	503 25 24-01	1		1
8	738 21 98-00	1		1
9	503 20 15-01	1		1
10	503 20 14-12	1		1
11	503 20 07-25	1		1
12	738 21 99-00	1		1
13	738 21 99-02	1		1
14	735 31 11-00	1		1
15	735 31 25-10	1		1
16	725 23 70-51	1		
17	503 20 07-12	1		
18	503 93 55-01	1		

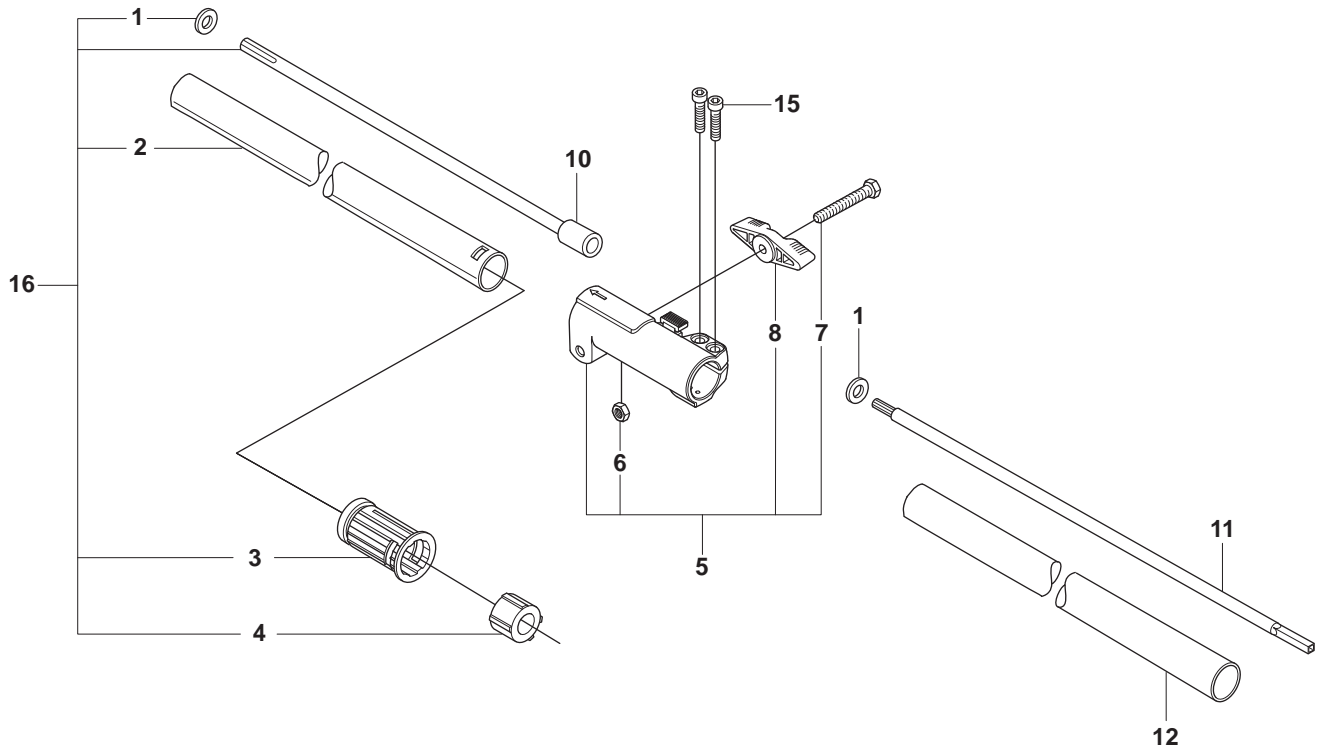
**B** 323C, L, 325Lx, LDx, RJx  
SHAFT & HANDLE



**Page B 323C, L, 325Lx, LDx, RJx, RJx( France) SHAFT & HANDLE**

Position	Article	Quantity	Notes	Kit
1	503 99 78-01	1	RJx	
2	503 88 88-01	1	L=1483mm Ø=24mm	
2	540 05 38-01	1	RJx L=1483mm Ø=24mm France	
3	725 23 78-51	1	L, LS	
3	725 23 80-51	1	Lx	
4	503 87 90-01	1	Lx	
5	503 23 00-61	1	L, LS	
6	503 87 19-01	1	L, LS	
6	503 87 19-03	1	Lx	
7	503 94 03-01	1		
8	503 20 07-16	1	RJx	
9	503 94 10-01	1	RJx	
10	731 23 14-01	1	RJx	
11	503 21 68-16	3	RJx	
12	502 19 71-01	1		
13	537 23 48-01	1	L=1525mm Ø=7mm	
14	735 31 12-00	1		
15	537 23 75-01	1		
16	537 29 48-01	1		
17	503 79 56-01	1		
18	537 10 10-01	1	RJx	
19	537 08 55-01	1	France	

**C 325LDx**  
SHAFT



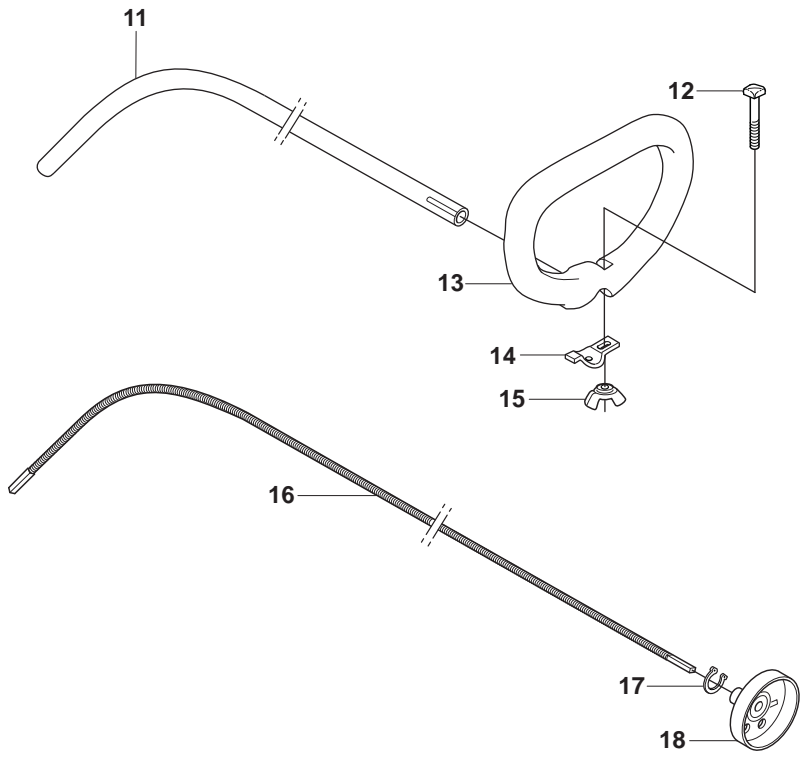
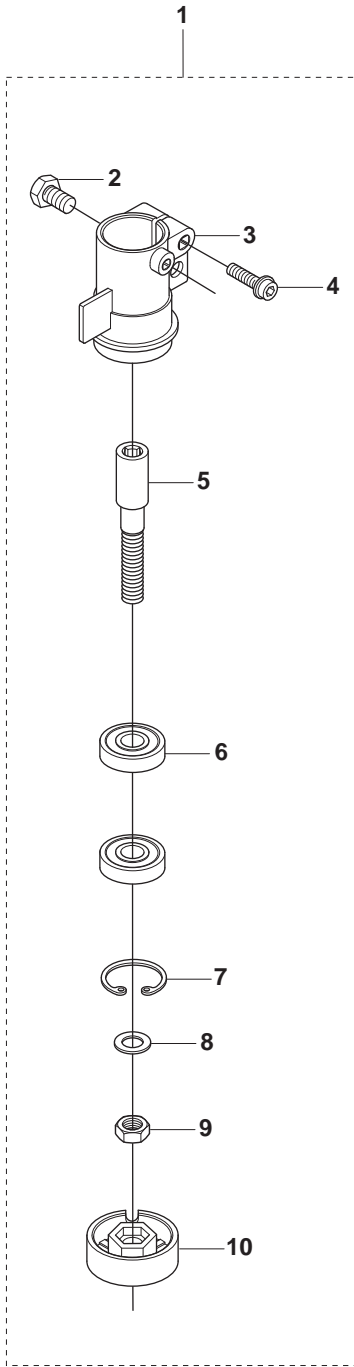
13



14

Position	Article	Quantity	Notes	Kit
1	735 58 08-10	2		16
2	537 08 27-01	1	L=850mm Ø=24mm	16
3	544 37 87-01	1		16
4	503 78 52-01	1		16
5	544 36 75-01	1		
6	731 23 16-01	1		5
7	725 23 76-51	1		5
8	502 20 38-01	1		5
10	537 01 19-01	1	L=825mm Ø=7mm	16
11	544 11 37-01	1	L=699mm Ø=7mm	
12	537 01 16-01	1	L=650mm Ø=24mm	
13	537 29 48-01	1		
14	503 79 56-01	1		
14	504 79 56-01	2		
14	505 79 56-01	3		
14	506 79 56-01	4		
15	503 20 07-25	2		
16	537 07 99-02	1		

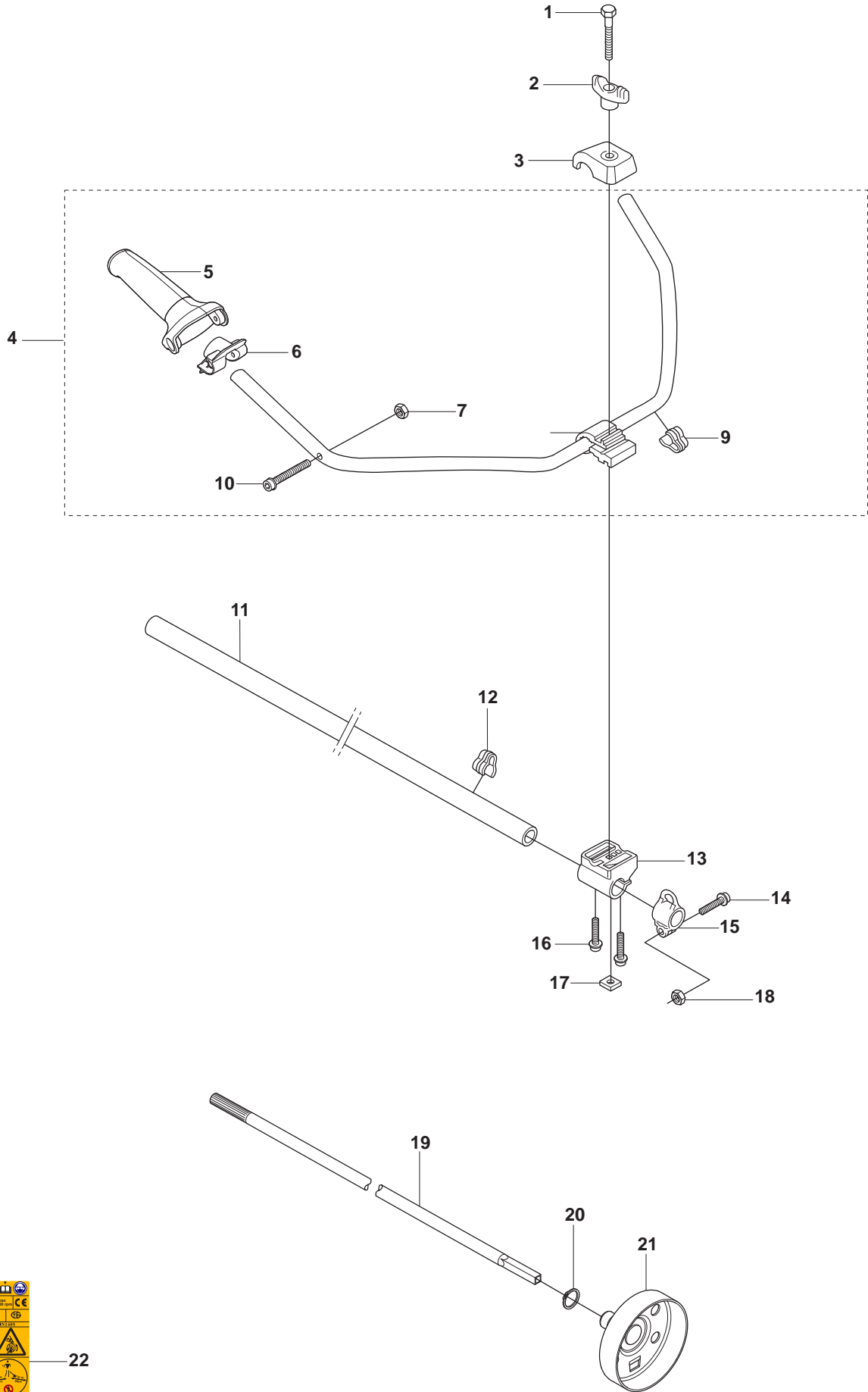
# D 325Cx BEVEL GEAR & SHAFT



Position	Article	Quantity	Notes	Kit
1	537 07 65-01	1		
2	725 23 70-51	1		1
3	537 07 62-01	1		1
4	503 20 07-30	1		1
5	537 07 64-01	1		1
6	503 25 05-01	2		1
7	735 31 27-01	1		1
8	537 11 46-01	1		1
9	537 11 47-01	1		1
10	537 07 63-01	1		1
11	537 07 74-01	1	L=1431mm Ø=2400mm	
12	503 21 98-35	1		
13	537 07 68-02	1		
14	537 04 25-01	1		
15	503 22 26-01	1		
16	537 35 15-01	1		
17	735 31 12-00	1		
18	537 23 75-01	1		
19	537 29 48-02	1		
20	503 79 56-01	1		



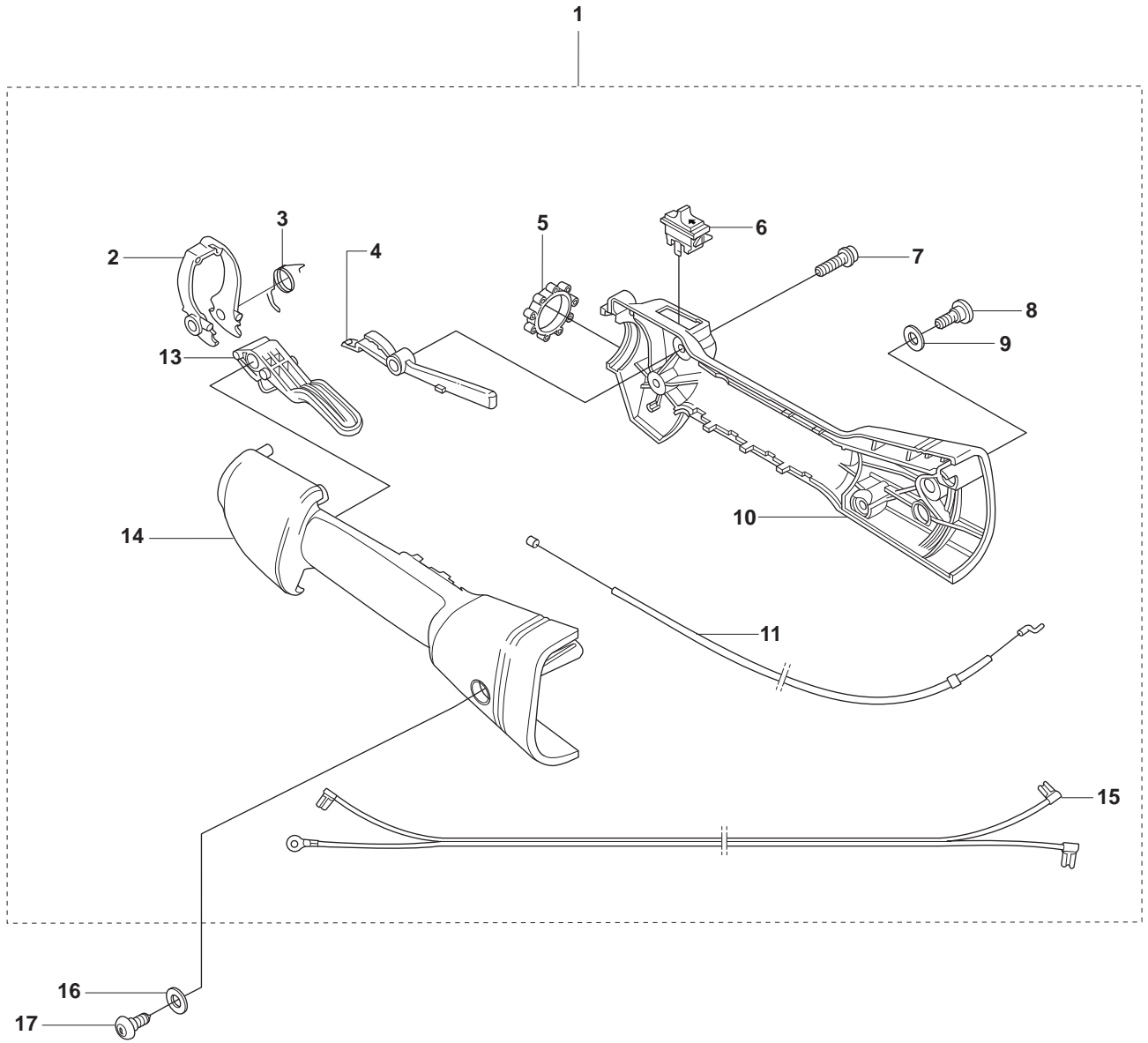
**E** 323R, 325Rx  
SHAFT & HANDLE



22

Position	Article	Quantity	Notes	Kit
1	725 23 86-51	1		
2	502 20 38-01	1		
3	503 72 29-01	1		
4	503 72 43-09	1		
5	537 17 28-01	1		4
6	537 17 29-01	1		4
7	731 23 14-01	1		4
8	503 75 00-01	1	Zama C1Q-EL24	4
9	502 21 12-01	1		4
10	503 20 02-45	1		4
11	503 88 88-01	1	L=1483mm Ø=24mm	
12	502 21 12-01	1		
13	503 88 23-01	1		
14	503 20 07-16	1		
15	503 94 10-01	1		
16	503 21 75-25	2		
17	502 19 71-01	1		
18	731 23 14-01	1		
19	537 23 48-01	1	L=1525mm Ø=7mm	
20	735 31 12-00	1		
21	537 23 75-01	1		
22	537 29 48-01	1		

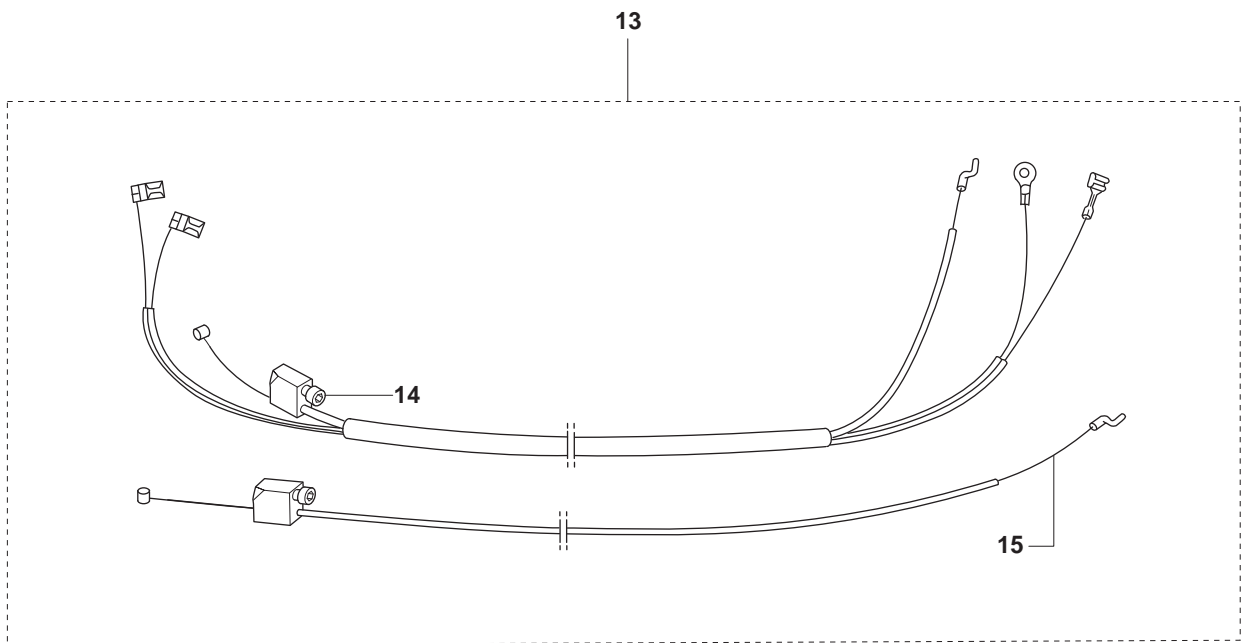
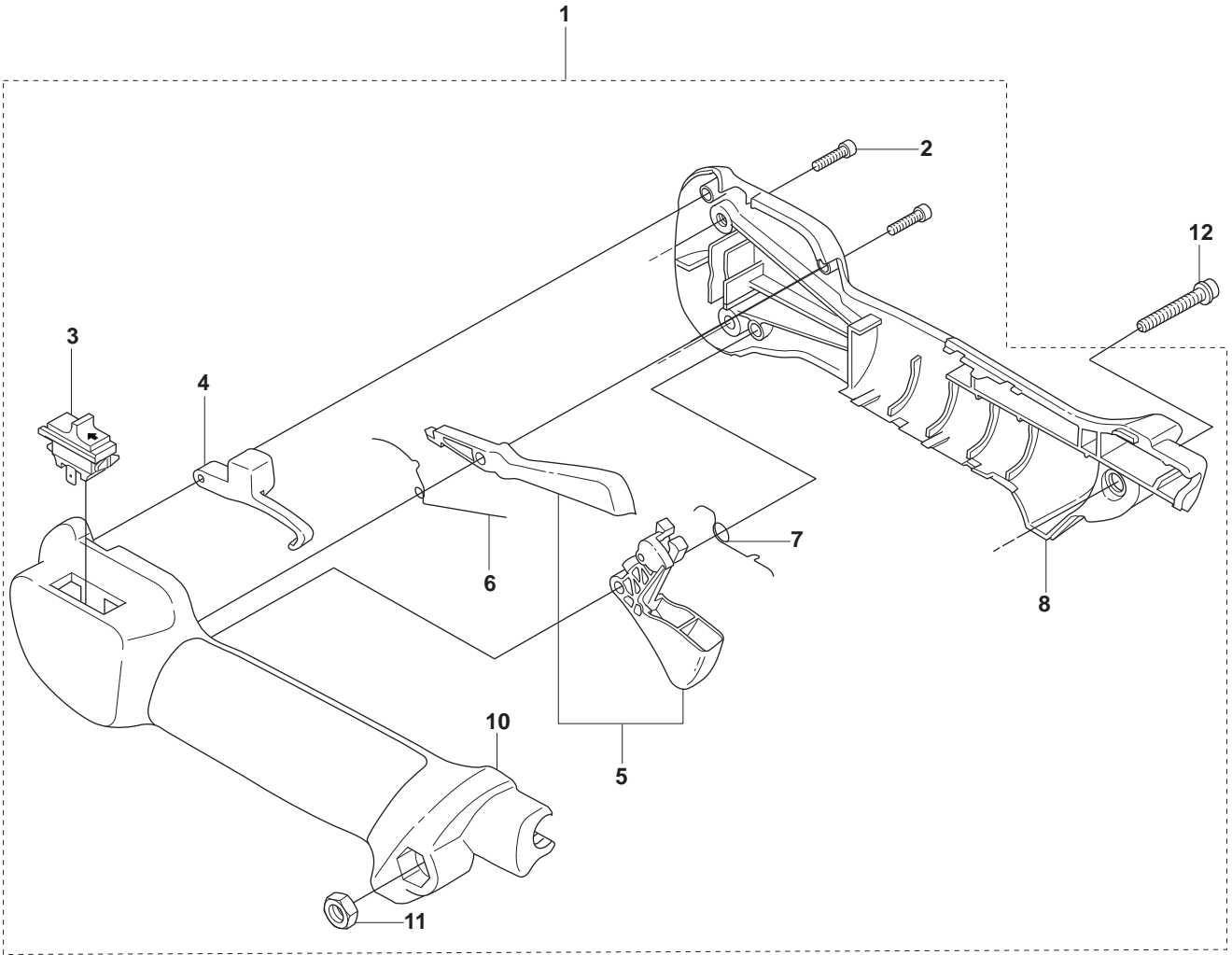
**F** 323L, 325Lx, LDx, LS, RJx  
THROTTLE CONTROLS



THROTTLE CONTROLS

Position	Article	Quantity	Notes	Kit
1	503 85 29-02	1		
2	503 91 81-01	1		1
3	537 01 13-01	1		1
4	503 87 80-01	1		1
5	503 96 14-01	1	L, Lx, LS, LDx	1
6	537 41 90-01	1		1
7	503 21 66-18	5		1
8	503 96 13-01	1		1
9	740 42 06-00	1		1
10	503 99 55-01	1	L,LS	1
10	503 99 55-02	1	Lx, LDx	1
11	544 17 17-01	2		1
12	503 91 81-01	1		1
13	503 87 79-03	1		1
14	503 99 56-01	1	L, LS	1
14	503 99 56-02	1	Lx, LDx	1
15	537 41 42-01	1		1
16	740 42 06-00	2		
17	503 96 13-01	3		

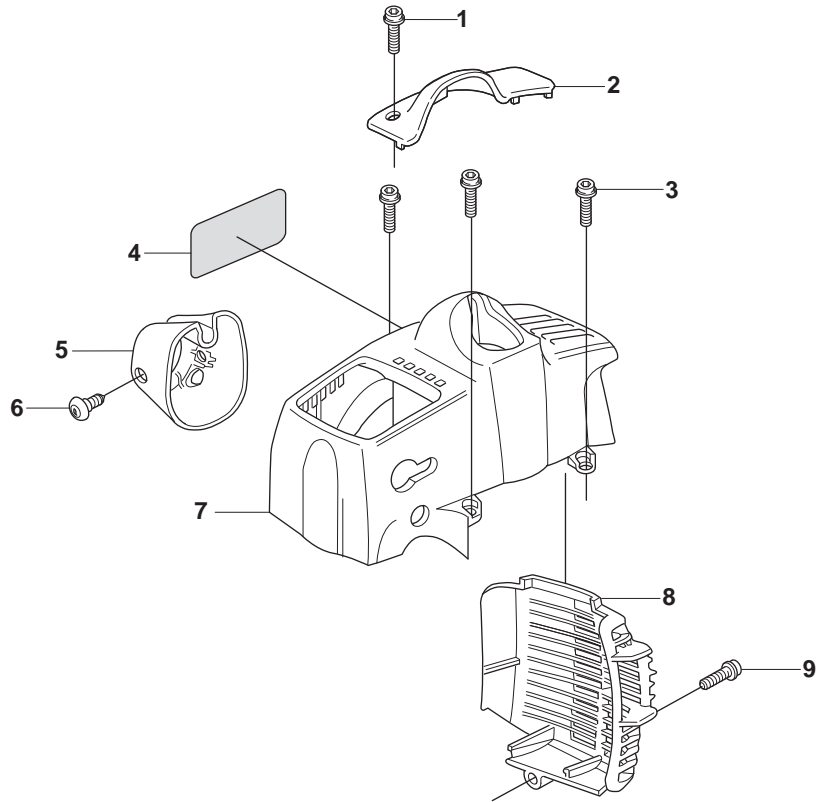
**G** 323R, 325Rx  
THROTTLE CONTROLS



**THROTTLE CONTROLS**

<b>Position</b>	<b>Article</b>	<b>Quantity</b>	<b>Notes</b>	<b>Kit</b>
1	537 42 45-13	1		
2	503 21 66-16	2		1
3	537 41 90-01	1		1
4	537 16 07-01	1		1
5	506 49 77-01	1		1
6	537 17 43-01	1		1
7	537 17 42-01	1		1
8	537 16 03-02	1		1
10	537 16 02-09	1		1
11	503 22 10-13	1		1
12	503 20 07-35	1		
13	537 42 44-01	1		
14	503 21 66-16	1		13
15	537 17 39-01	1		13

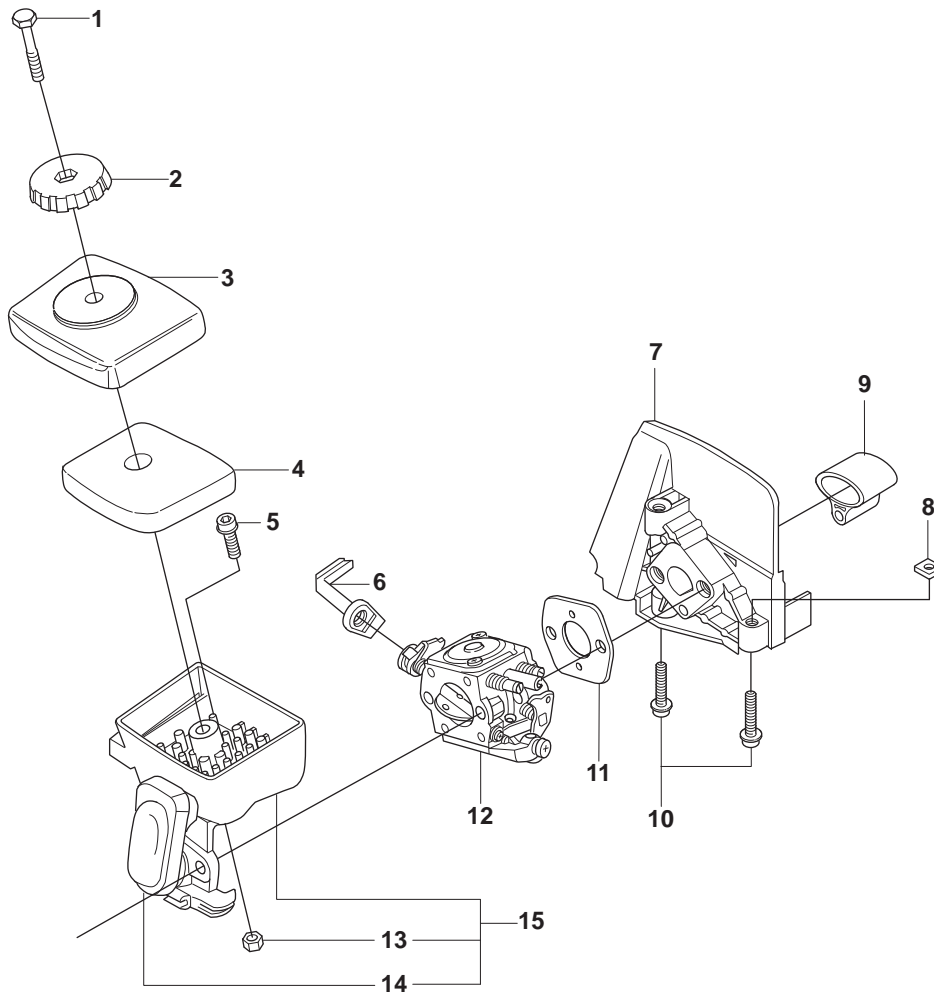
**H** 323C, L, LD, R, RJ, 325CX, Lx, LDx, Rx, RJx  
COVER



Position	Article	Quantity	Notes	Kit
1	503 21 35-12	2		
2	537 10 44-01	1		
3	503 21 68-20	3		
3	503 20 03-16	3	M5x16	
4	537 35 33-14	1	323L	
4	537 35 33-16	1	323R	
4	537 35 33-17	1	323RJ	
4	537 35 33-15	1	323LD	
4	537 35 33-20	1	325Cx	
4	537 35 33-24	1	325Rx	
4	537 35 33-22	1	325Lx	
4	537 35 33-23	1	325LDx	
4	537 35 33-26	1	325RJx	
5	503 97 21-01	1		
6	503 96 13-01	2		
7	503 87 18-02	1		
8	537 32 08-03	1		
9	503 21 68-20	1		
9	503 20 03-16	1	M5x16	

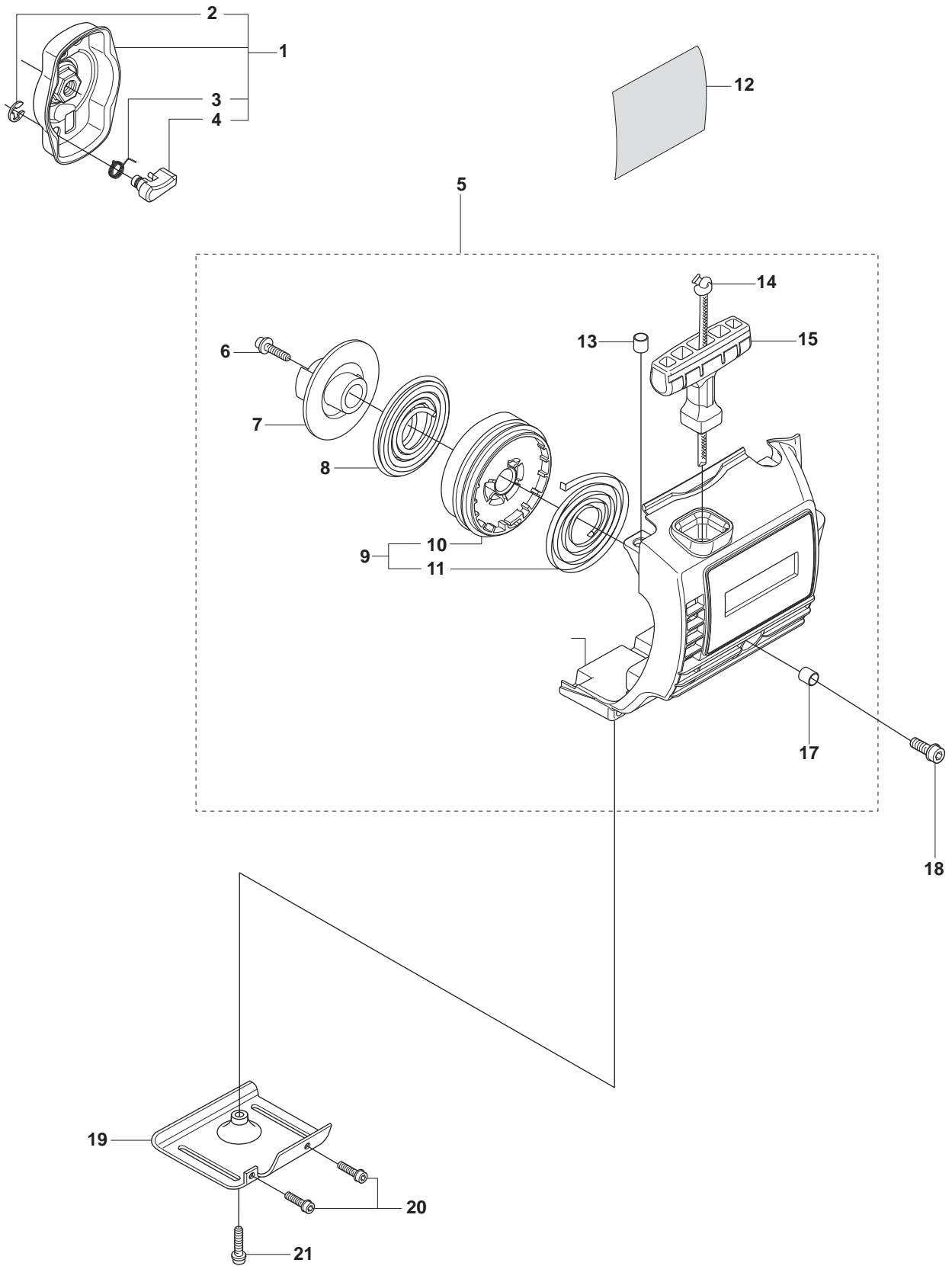


**J** 323C, L, LD, R, RJ, 325CX, Lx, LDx, Rx, RJx  
CARBURETOR & AIRFILTER



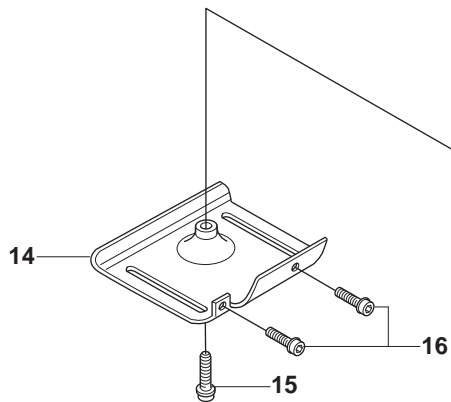
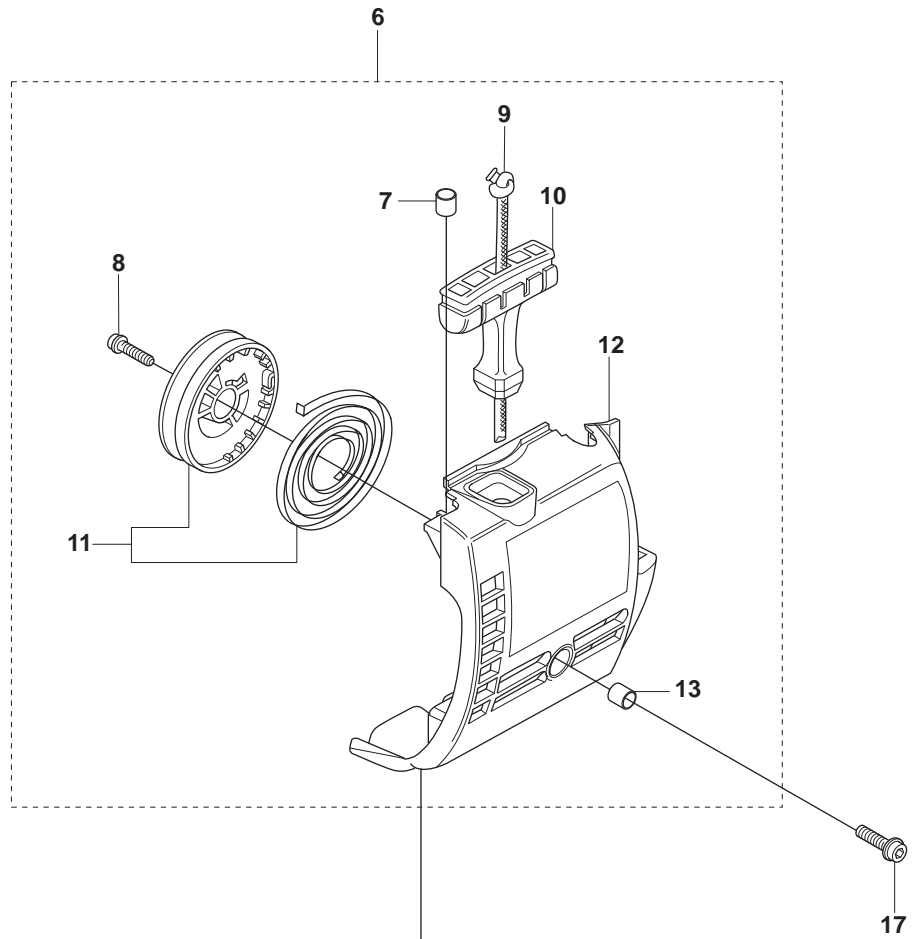
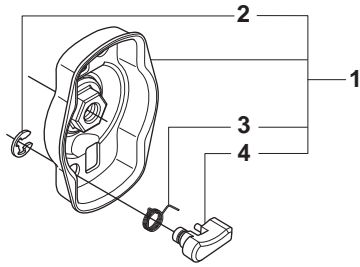
Page J		323C, L, LD, R, RJ 325CX, Lx, LDx, Rx, RJx		CARBURETOR & AIRFILTER	
Position	Article	Quantity	Notes	Kit	
1	502 20 65-03	1			
2	502 20 40-01	1			
3	503 88 80-02	1			
4	537 18 63-01	1			
5	503 21 75-16	1			
6	503 96 25-01	1			
7	503 91 09-01	1			
8	503 22 65-04	2			
9	503 94 26-01	1			
10	503 20 03-25	2			
11	503 49 71-01	1			
12	503 28 34-01	1	Zama C1Q-EL24 (Not for US)		
12	576 01 98-01	1	Hualong HQ-2 (Only option US)		
13	731 23 14-01	1		15	
14	503 88 79-01	1		15	
15	503 89 03-01	1	323		

# K1 323C, L, LD, R, RJ, 325CX, Lx, LDx, Rx, RJx STARTER



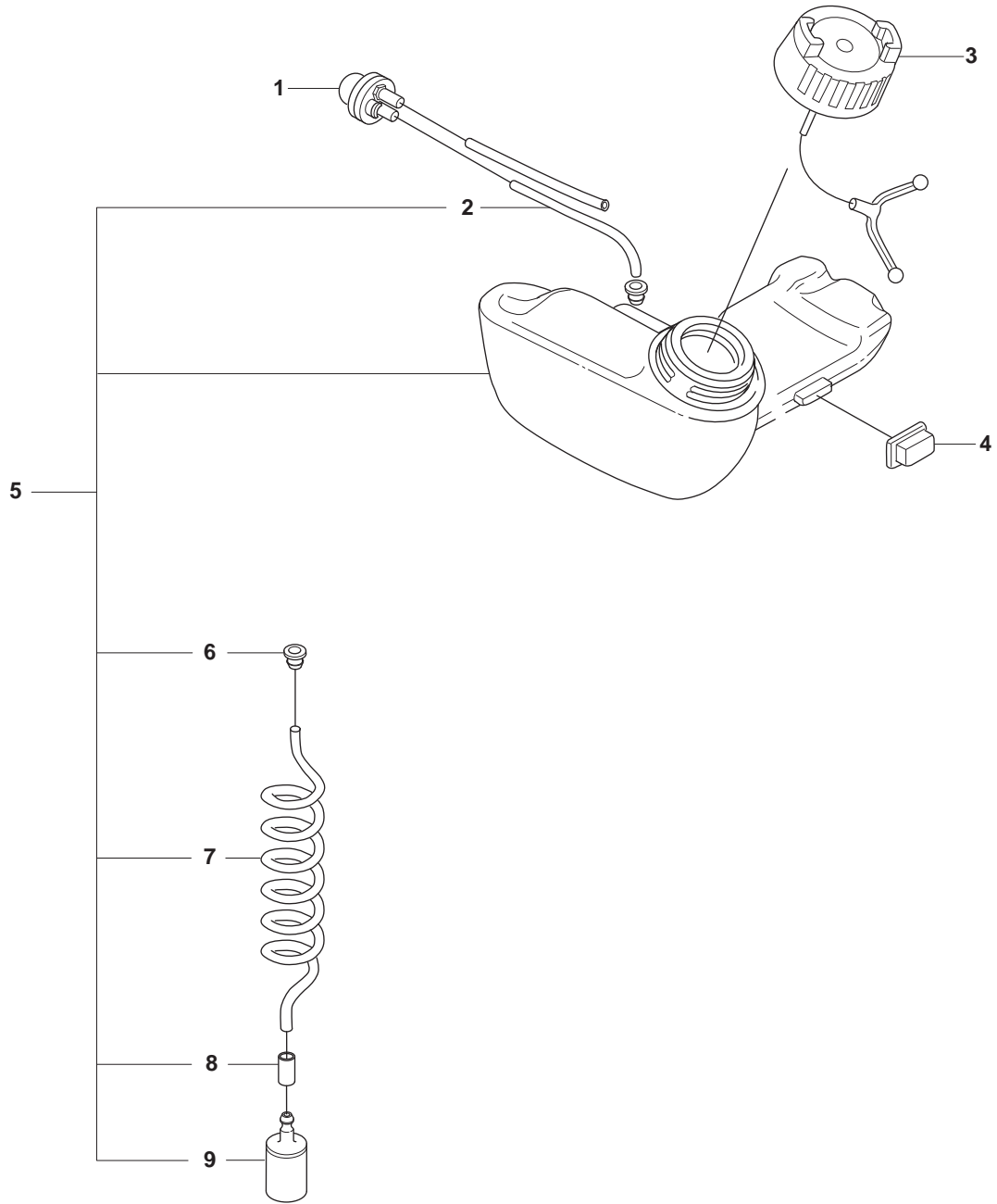
Position	Article	Quantity	Notes	Kit
1	503 87 33-05	1		
2	735 31 08-20	2		1
3	503 87 36-01	2		1
4	503 87 35-02	2		1
5	544 07 11-02	1		
6	503 21 77-25	1		5
7	544 03 87-02	1		5
8	544 03 88-02	1		5
9	544 16 65-01	1		5
10	544 03 86-01	1		5, 9
11	503 85 90-01	1		5, 9
12	537 35 34-04	1	323L	
12	537 35 34-05	1	323LD	
12	537 35 34-07	1	323R	
12	537 35 34-08	1	323RJ	
12	537 35 34-14	1	325Cx	
12	537 35 34-16	1	325Rx	
12	537 35 34-12	1	325Lx	
12	537 35 34-13	1	325LDx	
12	537 35 34-18	1	325RJx	
13	537 37 93-02	2		
14	503 85 89-01	1		5
15	537 00 84-01	1		5
16	537 41 16-01	1		5
17	537 37 93-02	1		5
18	503 21 68-20	1		
18	503 20 03-16	1	M5x16	
19	537 03 41-01	1		
20	503 21 66-18	1		
21	503 20 03-16	1	M5x16	

# K2 323C, L, LD, R, RJ, 325CX, Lx, LDx, Rx, RJx STARTER



Position	Article	Quantity	Notes	Kit
1	503 87 33-05	2		
2	735 31 08-20	1		1
3	503 87 36-01	2		1
4	503 87 35-02	2		1
6	503 85 28-06			
7	537 37 93-02	2		6
8	503 21 77-16	1		6
9	503 85 89-01	1		6
10	537 00 84-01	1		6
11	503 96 49-01	1		6
12	503 85 87-02	1		6
13	537 37 93-02	1		6
14	537 03 41-01	1		
15	503 20 03-16	1	M5x16	
16	503 21 66-18	1		
17	503 20 03-16	2	M5x16	

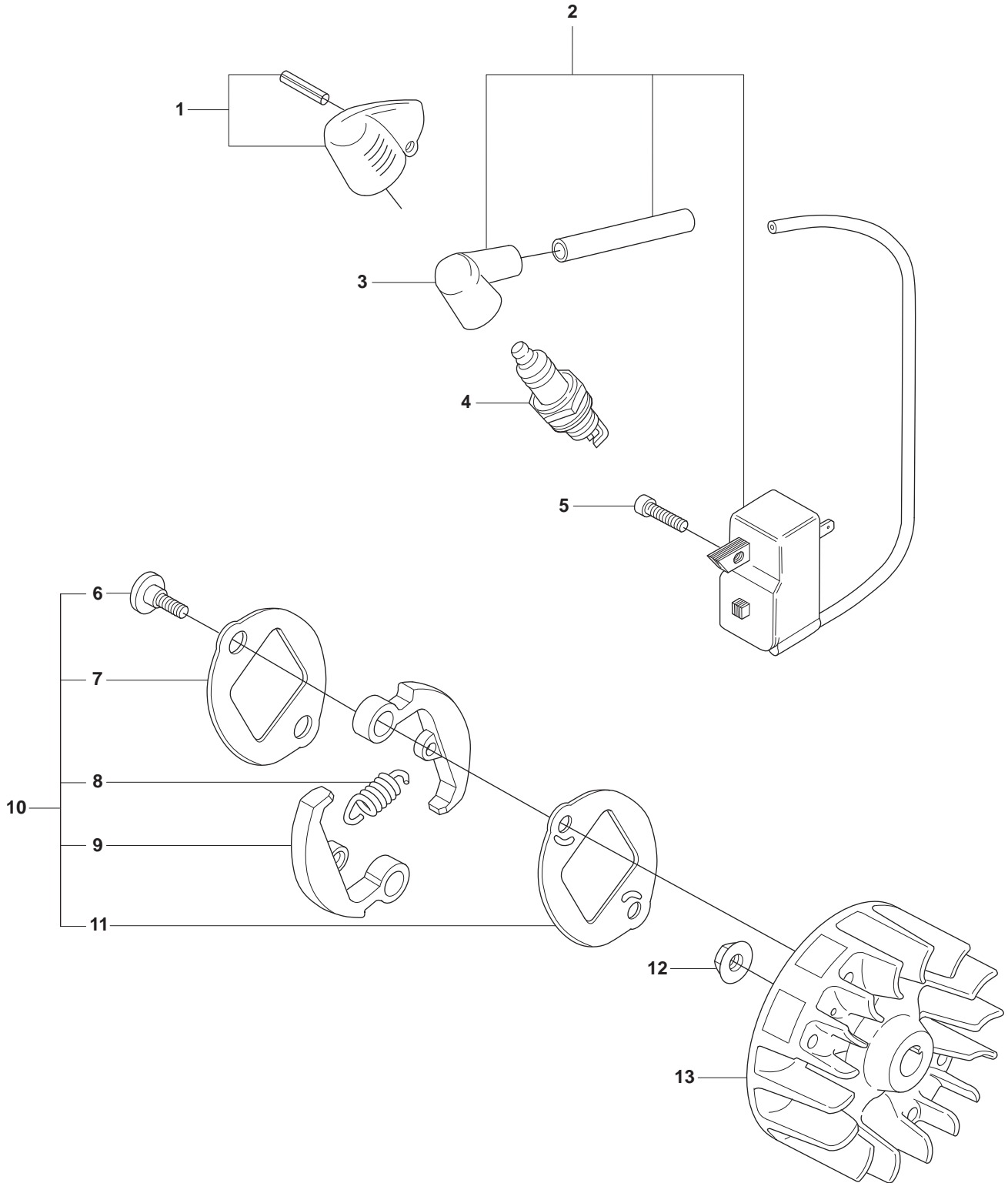
**L** 323C, L, LD, R, RJ, 325CX, Lx, LDx, Rx, RJx  
**FUEL TANK**



<b>Position</b>	<b>Article</b>	<b>Quantity</b>	<b>Notes</b>	<b>Kit</b>
1	503 93 66-01	1		
2	537 04 24-01	2		5
3	503 91 18-02	1		
4	503 91 10-01	4		
5	537 06 86-02	1		
6	503 73 58-01	2		5
7	544 32 50-01	1		5
8	504 02 24-01	1		5
9	503 44 32-01	1		5

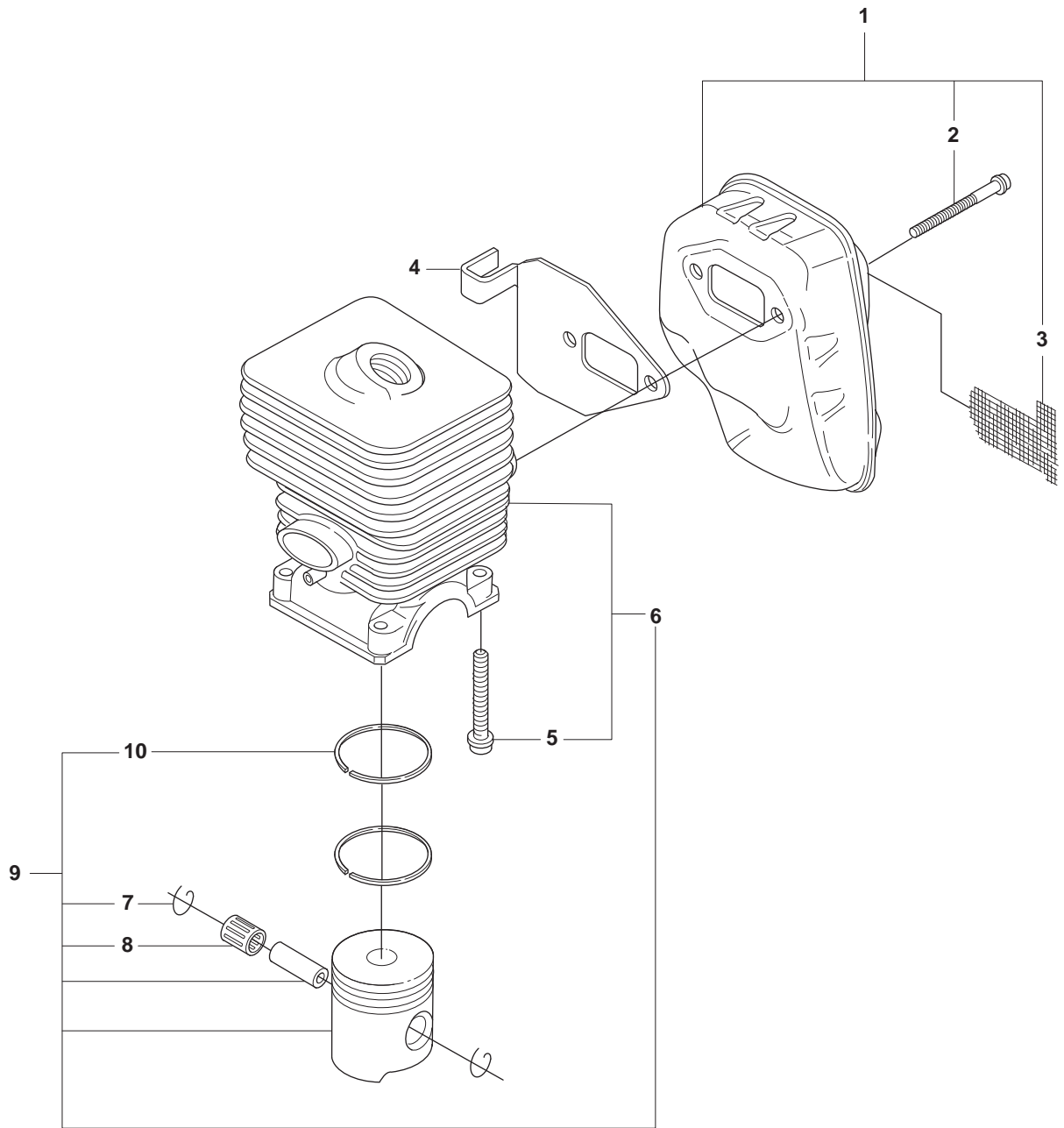


**M** 323C, L, LD, R, RJ, 325CX, Lx, LDx, Rx, RJx  
IGNITION & CLUTCH



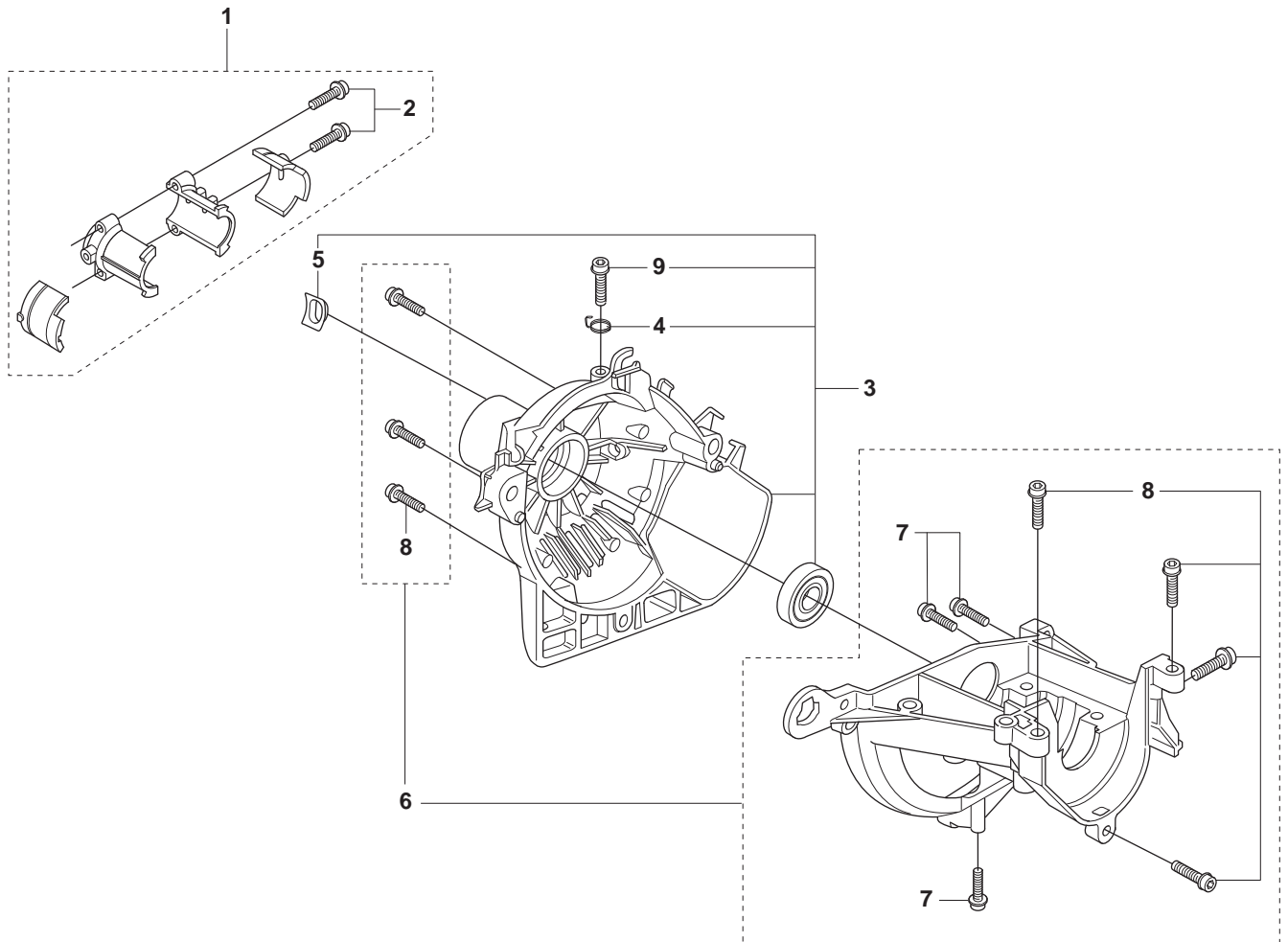
Page M		323C, L, LD, R, RJ 325CX, Lx, LDx, Rx, RJx		IGNITION & CLUTCH	
Position	Article	Quantity	Notes	Kit	
1	537 04 58-01	1	325x Series		
2	537 41 87-01	1			
3	537 23 96-01	1		2	
4	503 23 51-08	1	Champion RCJ7Y		
4	503 23 51-11	1	NGK BPMR 7A		
5	503 21 71-16	2			
6	503 84 29-02	1		10	
7	537 04 67-02	1		10	
8	503 81 60-01	1		10	
9	503 84 28-01	2		10	
10	537 03 22-01	1			
11	537 04 68-02	1		10	
12	731 71 16-51	1			
13	537 24 96-02	1			

**N** 323C, L, LD, R, RJ, 325CX, Lx, LDx, Rx, RJx  
CYLINDER PISTON & MUFFLER



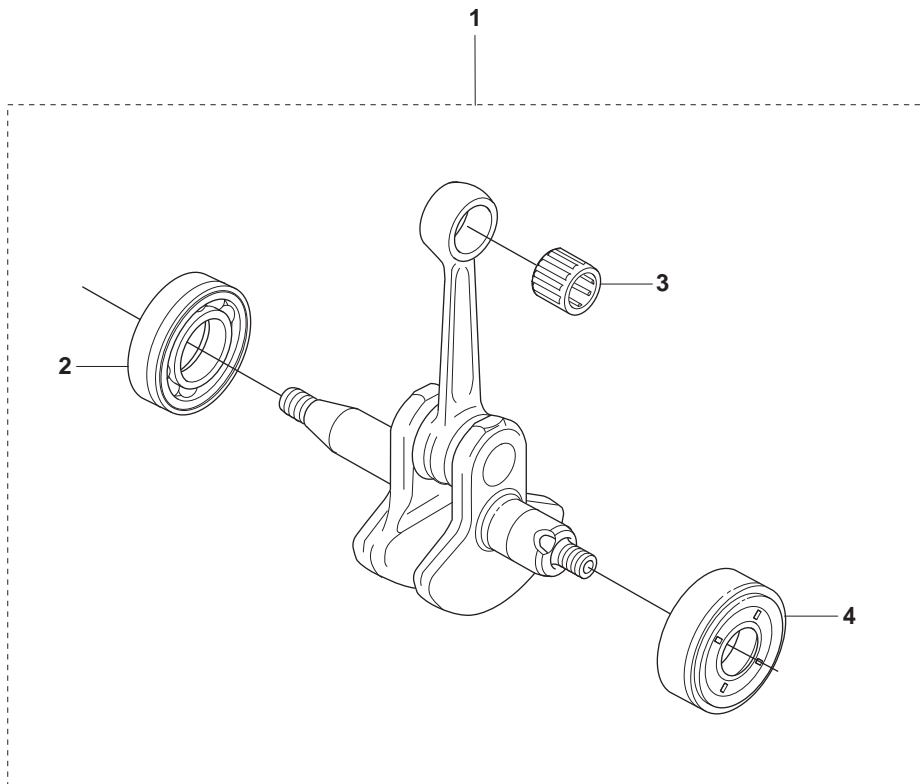
<b>Position</b>	<b>Article</b>	<b>Quantity</b>	<b>Notes</b>	<b>Kit</b>
1	537 16 19-01	1		
2	502 07 81-01	2		1
3	503 87 17-01	1	Cat.	1
4	537 01 41-01	1		
5	503 20 07-35	4		6
6	537 03 20-08	1		
7	737 44 08-00	1		9
8	503 71 22-01	1		9
9	537 40 59-02	1		6
10	537 40 62-01	2		9

**P** 326  
CRANK CASE



Position	Article	Quantity	Notes	Kit
1	537 30 96-01	1		
2	503 21 68-25	2		1
3	537 04 12-07	1		
4	537 07 36-01	1		3
5	537 42 50-01	1		3
6	537 04 11-03	1		
7	503 21 66-18	3		6
8	503 20 03-16	7		6
9	503 20 03-16	1		3

**Q** 323C, L, LD, R, RJ, 325CX, Lx, LDx, Rx, RJx  
CRANK SHAFT

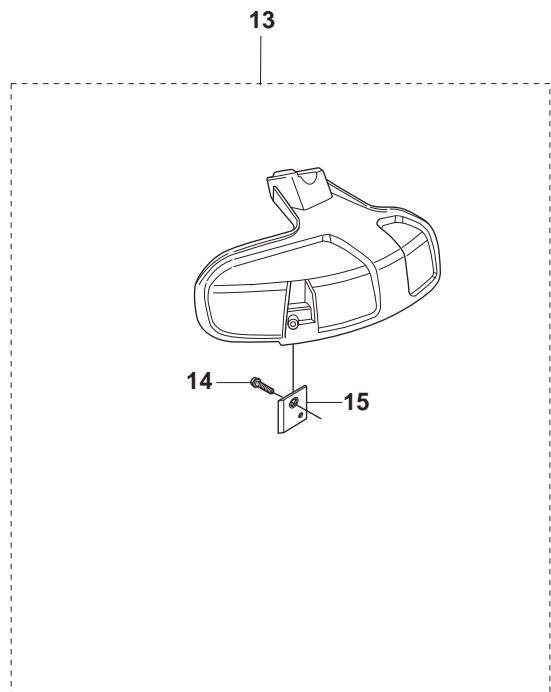
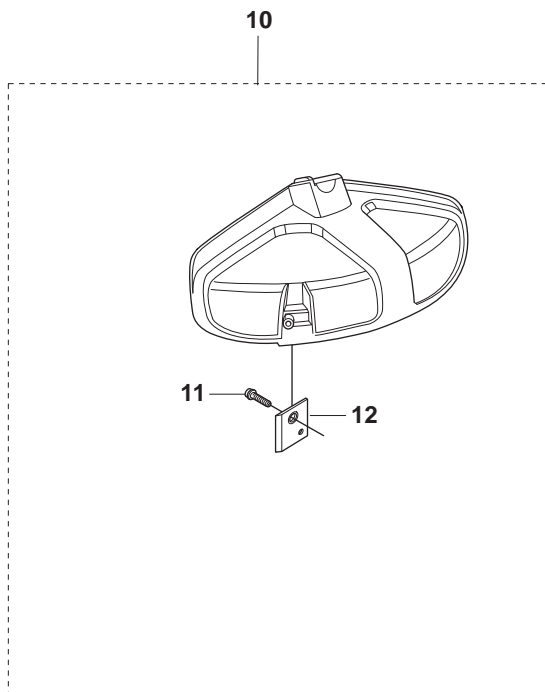
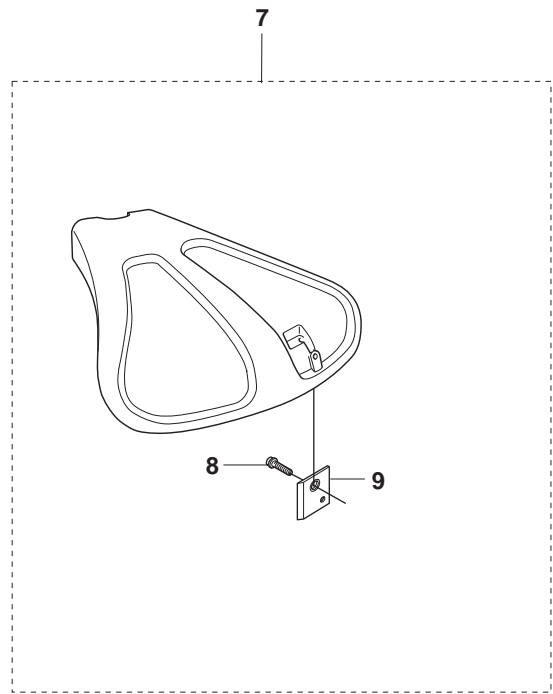
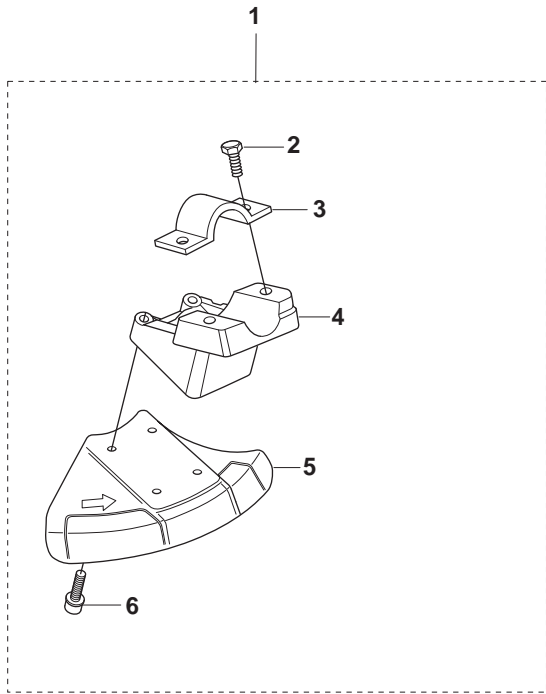


**Page Q**    **323C, L, LD, R, RJ**                      **CRANK SHAFT**  
**325CX, Lx, LDx, Rx, RJx**

<b>Position</b>	<b>Article</b>	<b>Quantity</b>	<b>Notes</b>	<b>Kit</b>
1	503 85 24-75			
2	503 94 02-03	1		1
3	503 71 22-01	1		1
4	503 94 02-03	1		1



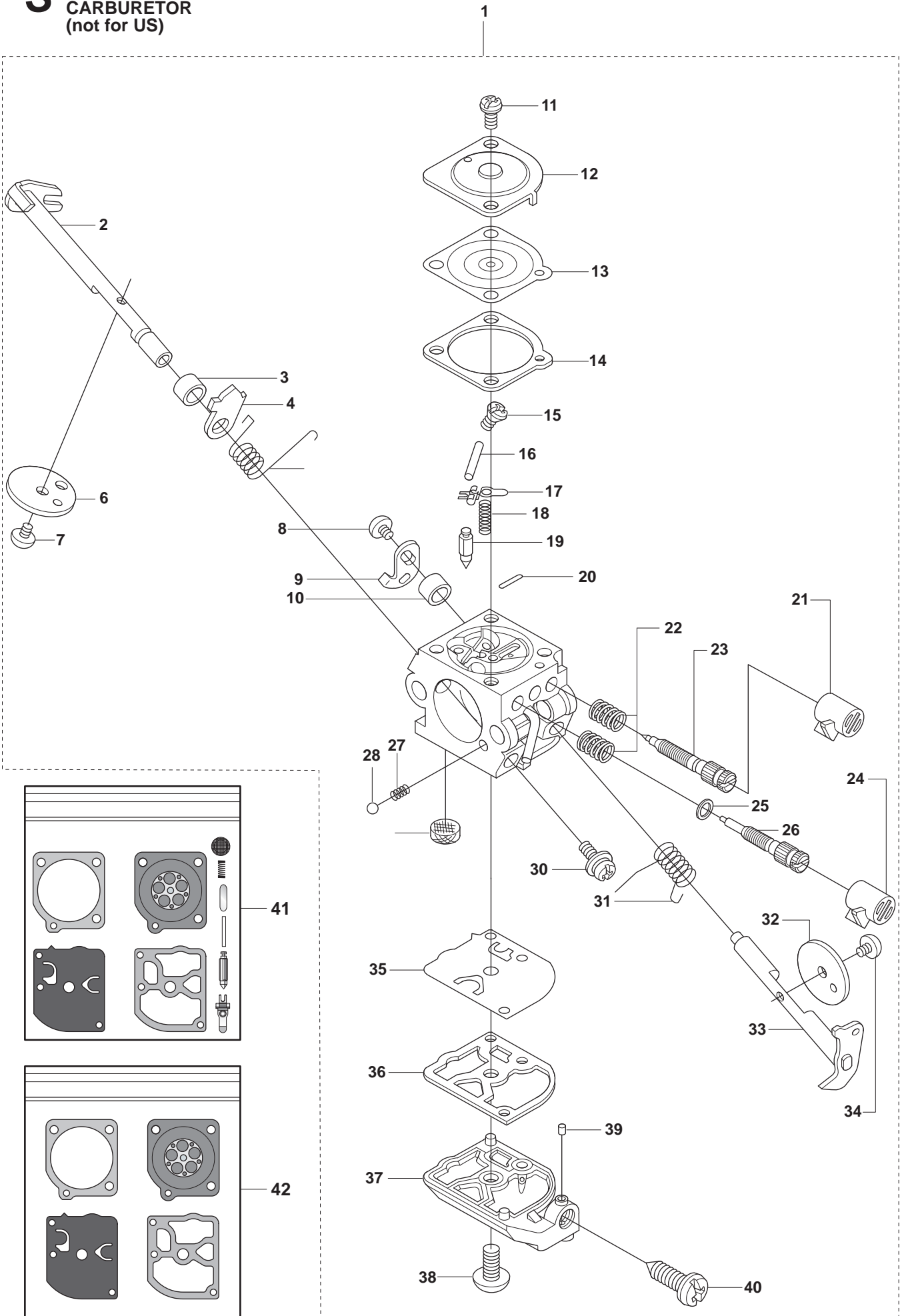
**R** 323C, L, LD, R, RJ, 325CX, Lx, LDx, Rx, RJx  
ACCESSORIES



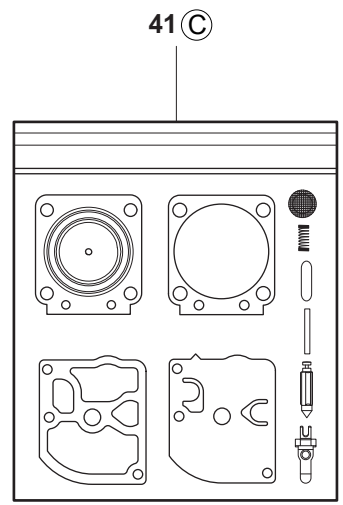
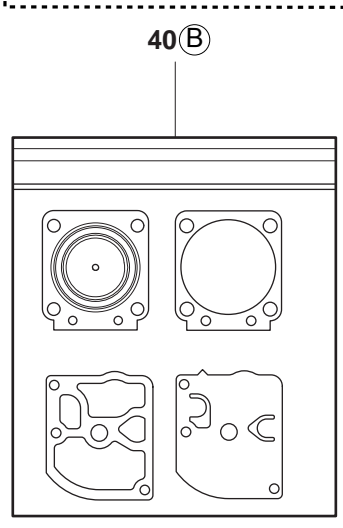
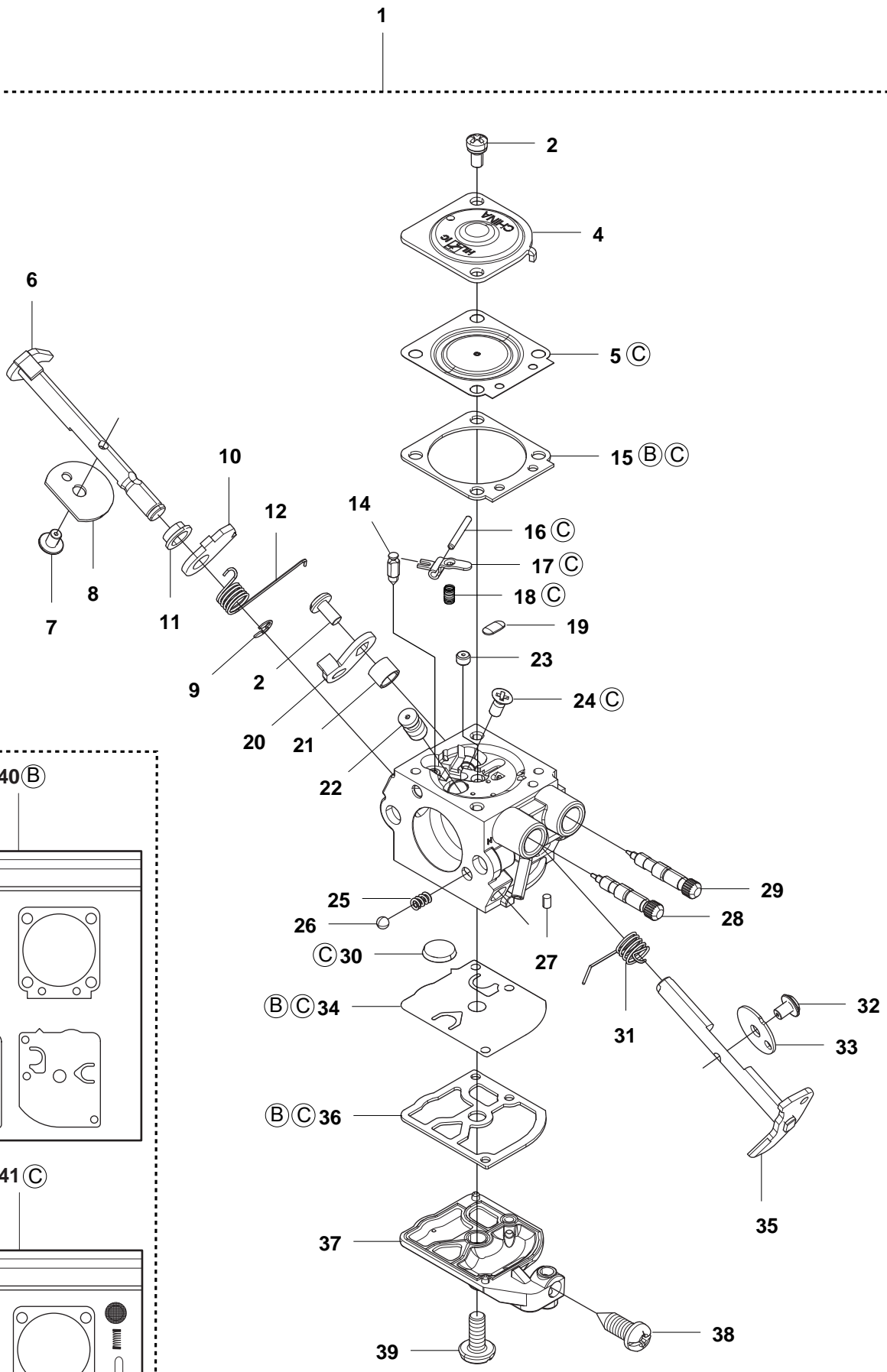
**Page R    323C, L, LD, R, RJ                      ACCESSORIES**  
**325CX, Lx, LDx, Rx, RJx**

<b>Position</b>	<b>Article</b>	<b>Quantity</b>	<b>Notes</b>	<b>Kit</b>
1	537 29 95-01	1	323R, 325Rx, 325RDx	
2	725 23 68-71	2		1
3	537 04 75-01	1		1
4	537 29 34-01	1		1
5	502 27 22-01	1		1
6	503 21 75-16	4		1
7	537 07 67-01	1	325Cx	
8	503 21 07-16	1		7
9	503 79 88-01	1		7
10	503 93 42-02	1	323R, 323RJ, 325Rx, 325RJx, 325RDx	
11	503 21 07-16	1		10
12	503 79 88-01	1		10
13	503 97 71-01	1	323L, 323LD, 325Lx, 325LDx	
14	503 21 07-16	1		13
15	503 79 88-01	1		13

**S** 323C, L, LD, R, RJ, 325CX, Lx, LDx, Rx, RJx  
**CARBURETOR**  
(not for US)

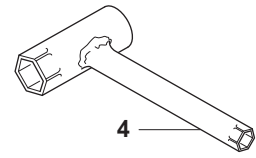
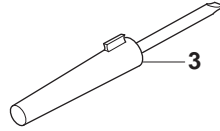
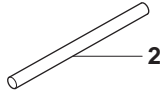
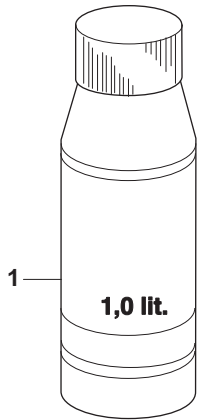


Position	Article	Quantity	Notes	Kit
1	503 28 34-01	0	Zama C1Q-EL24	
2	537 37 03-01	1		1
3	503 48 19-01	1		1
4	537 04 90-01	1		1
5	537 02 10-01	1		1
6	537 37 03-01	1		1
7	503 48 18-01	1		1
8	503 47 90-01	1		1
9	537 01 98-01	1		1
10	503 47 89-01	1		1
11	503 48 05-01	2		1
12	503 97 43-01	1		1
13	537 04 89-01	1		1, 41, 42
14	537 02 04-01	1		1, 41, 42
15	503 48 01-01	1		1
16	503 48 00-01	1		1, 41
17	503 66 59-01	1		1, 41
18	537 02 03-01	1		1, 41
19	503 47 97-01	1		1, 41
20	537 02 08-01	1		1, 41
21	537 02 16-01	1		1
22	503 48 08-01	1		1
23	537 12 78-01	1		1
24	537 02 16-01	1		1
25	503 97 40-01	1		1
26	537 02 06-01	1		1
27	537 01 26-01	1		1
28	537 01 25-01	1		1
29	503 53 57-01	1		1, 41
30	503 75 53-01	1		1
31	537 01 97-01	1		1
32	537 01 99-01	1		1
33	537 01 96-01	1		1
34	503 47 92-01	1		1
35	537 02 00-01	1		1, 41, 42
36	537 02 01-01	1		1, 41, 42
37	537 02 02-01	1		1
38	503 47 96-01	1		1
39	503 48 11-01	1		1
40	537 02 07-01	1		1
41	531 00 45-53	1	Repairkit	
42	531 00 45-52	1	Set of gaskets	

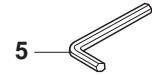


Hualong HQ-2		CARBURETOR (only option for US)		
Position	Article	Quantity	Notes	Kit
1	576 01 98-01	1	Hualong HQ-2	
2	576 02 42-01	2		1
4	576 02 36-01	1		1
5	576 02 24-01	1		1
6	576 02 30-01	1		1
7	576 02 41-01	1		1
8	576 02 32-01	1		1
9	576 02 48-01	1		1
10	576 02 31-01	1		1
11	576 02 35-01	1		1
12	576 02 33-01	1		1
14	576 02 01-01	1		1
15	576 02 37-01	1		1
16	576 02 03-01	1		1
17	576 02 04-01	1		1
18	576 02 05-01	1		1
19	576 02 06-01	1		1
20	576 02 28-01	1		1
21	576 02 29-01	1		1
22	576 02 07-01	1		1
23	576 02 08-01	1		1
24	576 02 43-01	1		1
25	576 02 34-01	1		1
26	576 02 47-01	1		1
27	576 02 23-01	1		1
28	576 02 10-01	1		1
29	576 02 11-01	1		1
30	576 02 15-01	1		1
31	576 02 27-01	1		1
32	576 02 40-01	1		1
33	576 02 26-01	1		1
34	576 02 39-01	1		1
35	576 02 25-01	1		1
36	576 02 38-01	1		1
37	576 02 20-01	1		1
38	576 02 22-01	1		1
39	576 02 44-01	1		1
40	581 74 35-01	1		
41	581 74 37-01	1		

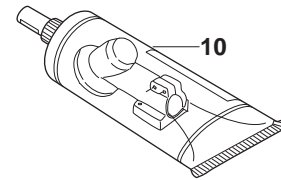
**T** 323C, L, LD, R, RJ, 325CX, Lx, LDx, Rx, RJx  
**ACCESSORIES**



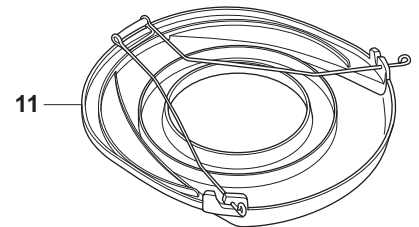
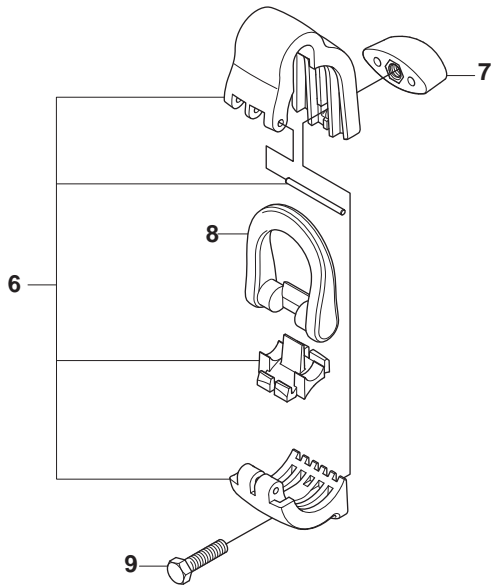
4



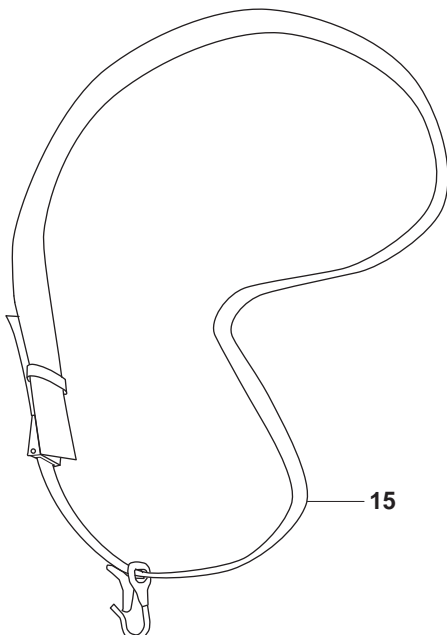
5



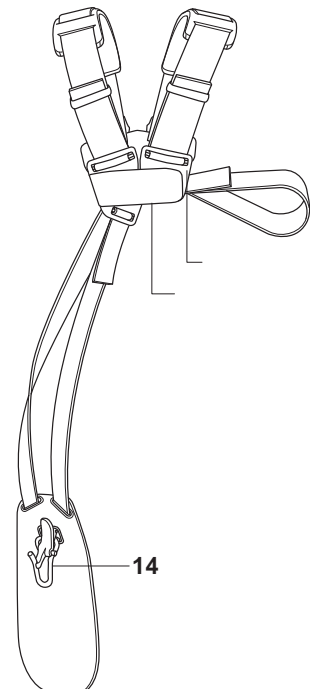
10



11



15



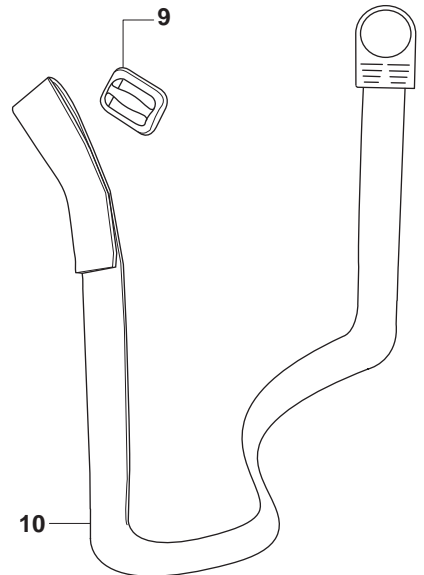
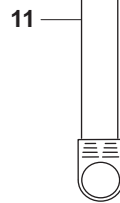
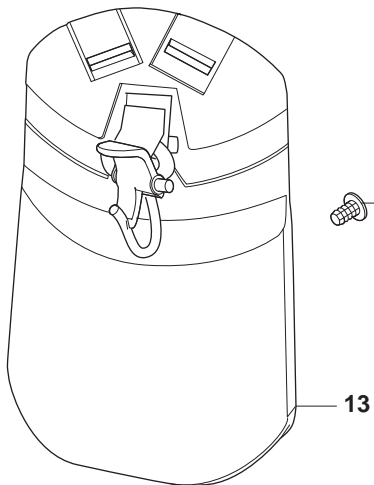
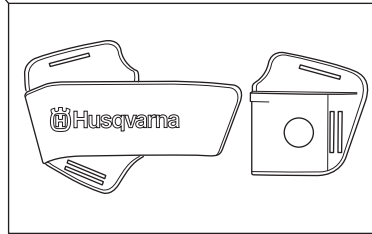
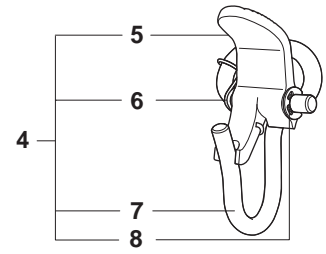
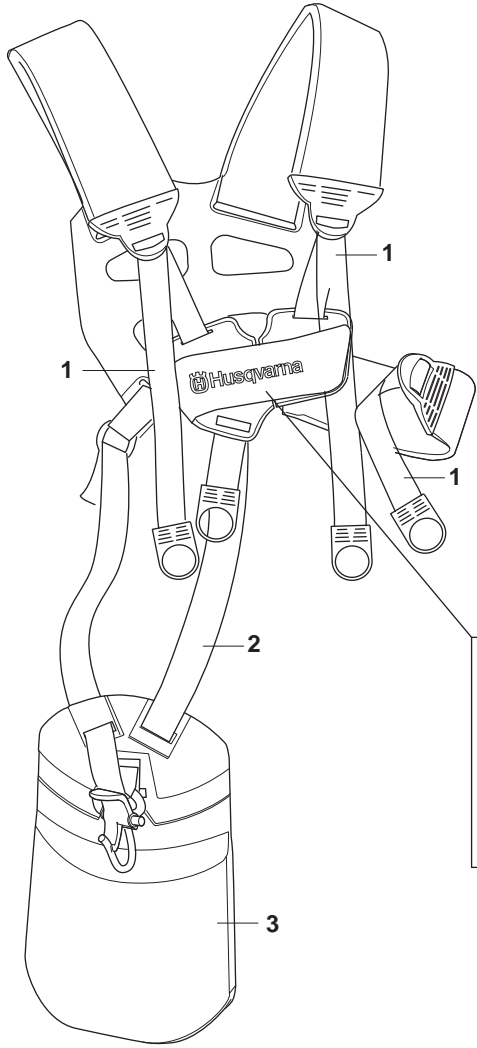
14

<b>Position</b>	<b>Article</b>	<b>Quantity</b>	<b>Notes</b>	<b>Kit</b>
1	531 00 92-48	1		
2	502 28 59-01	1		
3	501 60 02-03	1		
4	502 11 46-02	1		
5	502 21 58-01	1		
6	537 35 36-01	1		
7	537 13 04-02			
8	537 35 01-01			6
9	725 23 31-51	1		
10	503 97 64-01	1		
11	537 31 29-01	1	200-275mm	
12	503 73 40-01			
13	503 73 41-02			
14	502 02 28-02	1		
15	537 21 62-01	1		
15	537 21 62-02	1	USA	



**U** 323C, L, LD, R, RJ, 325CX, Lx, LDx, Rx, RJx  
**HARNESS**

**Duo Balance**



<b>Position</b>	<b>Article</b>	<b>Quantity</b>	<b>Notes</b>	<b>Kit</b>
1	503 99 61-01			
2	503 99 61-03			
3	537 27 59-01			
4	502 02 28-01			
5	502 02 30-02			4
6	502 02 38-01			4
7	502 02 29-02			4
8	735 31 09-20			4
9	537 11 35-01			
10	503 99 61-03			
11	503 99 61-01	3		
12	537 17 54-01	3		
13	537 27 59-01			